

MQ2200

MQ2200-M-H / MQ2200-M-AC / MQ2200-S



Product Information

1. MQ2200-S is the battery module, and MQ2200-M-H includes inverter, MPPTs and battery module; MQ2200-M-AC includes inverter, battery module.
2. MQ2200-M-H or MQ2200-M-AC contains the controller of the entire system, so each system must have one MQ2200-M-H or MQ2200-M-AC.

MQ2200-M-H Specifications

Specifications for MQ2200-M-H	
PV INPUT	
Max. input power (W)	2600
Max. input voltage (V d.c.)	60
MPPT voltage range (V d.c.)	10~60
Nominal voltage (V d.c.)	38
Max. input current (A d.c.)	20/20/20/20
Isc PV (A d.c.)	25/25/25/25
BATTERY	
Battery type	LFP (LiFePO ₄)
Expandable battery quantity	4
Battery energy (kWh)	2.11
Nominal capacity (Ah)	60
Battery rated voltage (V d.c.)	35.2
Voltage range (V d.c.)	31.9~40.1
Max.charge/discharge current (A d.c.)	60/60
Warm up function	Optional
AC INPUT	
Max. apparent power (VA)	1200
Nominal voltage (V a.c.)	220/230/240
Nominal frequency (Hz)	50/60
Max. input current (A a.c.)	5.4
AC OUTPUT	
Rated power (W)	800
Rated apparent power (VA)	800
Max. apparent power (VA)	800
Nominal voltage (V a.c.)	220/230/240
Nominal frequency (Hz)	50/60
Rated output current (A a.c.)	3.6/3.5/3.3
Power factor	0.8 leading to 0.8 lagging
EPS OUTPUT	
Max. apparent power (VA)	1200
Nominal voltage (V a.c.)	220/230/240
Nominal frequency (Hz)	50/60
Max. output current (A a.c.)	5.4
Max. bypass output current (A a.c.)	10
Max. bypass output power (W)	2200
Power factor	0.8 leading to 0.8 lagging
GENERAL DATA	
Topology	Isolated
Ingress protection	IP65
Protective class	Class I
Overvoltage category	III (AC side), II (DC side)

Operating temperature range (°C)	-20~55
Dimensions (W×D×H) (mm)	420*285*255
Weight (kg)	26.5±5%

MQ2200-M-AC Specifications

Specifications for MQ2200-M-AC	
BATTERY	
Battery type	LFP (LiFePO ₄)
Expandable battery quantity	4
Battery energy (kWh)	2.11
Nominal capacity (Ah)	60
Battery rated voltage (V d.c.)	35.2
Voltage range (V d.c.)	31.9~40.1
Max.charge/discharge current (A d.c.)	60/60
Warm up function	Optional
AC INPUT	
Max. apparent power (VA)	1200
Nominal voltage (V a.c.)	220/230/240
Nominal frequency (Hz)	50/60
Max. input current (A a.c.)	5.4
AC OUTPUT	
Rated power (W)	800
Rated apparent power (VA)	800
Max. apparent power (VA)	800
Nominal voltage (V a.c.)	220/230/240
Nominal frequency (Hz)	50/60
Rated output current (A a.c.)	3.6/3.5/3.3
Power factor	0.8 leading to 0.8 lagging
EPS OUTPUT	
Max. apparent power (VA)	1200
Nominal voltage (V a.c.)	220/230/240
Nominal frequency (Hz)	50/60
Max. output current (A a.c.)	5.4
Max. bypass output current (A a.c.)	10
Max. bypass output power (W)	2200
Power factor	0.8 leading to 0.8 lagging
GENERAL DATA	
Topology	Isolated
Ingress protection	IP65
Protective class	Class I
Overvoltage category	III (AC side), II (DC side)
Operating temperature range (°C)	-20~55
Dimensions (W×D×H) (mm)	420*285*255
Weight (kg)	25.8±5%

MQ2200-S Specifications

Specifications for MQ2200-S	
Battery type	LFP (LiFePO ₄)
Rated capacity (Ah)	60
Nominal energy (kWh)	2.11
Nominal voltage (V d.c.)	35.2
Voltage range (V d.c.)	31.9~40.1
Max.charge/discharge current (A d.c.)	40/40
Ingress protection	IP65
Protective class	Class I
Operating temperature range (°C)	-20~55
Warm up function	Optional
Dimensions (W×D×H) (mm)	420*220*270
Weight (kg)	23.0±5%

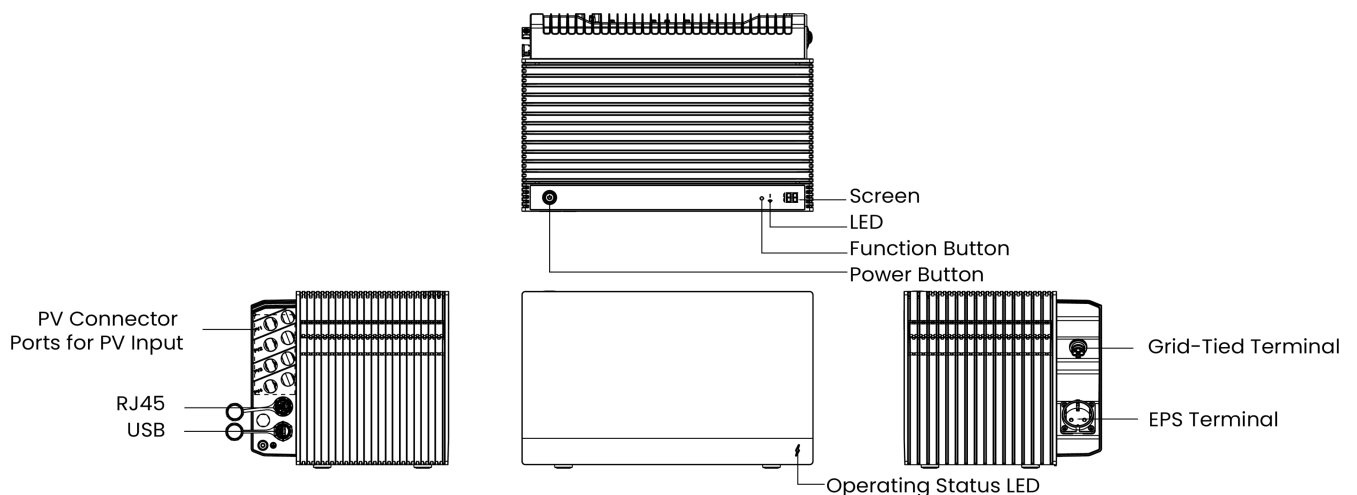
Product Features

System Features

The product has been fitted with multiple protection systems to ensure the safe operation of the system. Some of the protection systems include:

- Inverter protection: Over voltage, Over current, External short circuit, Over temp, In rush current, Insulation impedance, Anti - islanding protection.
- Battery Protection: Over voltage, Over current, Over temp, Under voltage, Under temp.
- The product contains the following Interface to allow it to connect and operate efficiently.

MQ2200-M Features:



PV Connector Ports for PV Input 1~4 (Only applicable to MQ2200-M-H)

Connect each set of PV modules to each set of PV input ports in MQ2200-M-H.

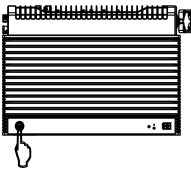
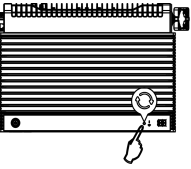
RJ45

Connect to the smart meter through RS485 communication. If you use wireless meter, you don't need to connect it.

USB

Connect to a USB flash drive to upgrade firmware.

Power Button

Button	Action	Function
	Press for 2 seconds (in power off state)	Turn on the battery
	Press for 2 seconds (in power on state)	Enable/disable EPS output
	Press for 5 seconds (in power on state)	Turn off the battery
	Press for 2 seconds (in screen off state)	Light up the screen
	Press for 2 seconds (in screen on state)	Switch the screen page
	Press for 20 seconds	Reset bluetooth and WiFi

Screen LED

OLED screen displays inverter data, PV data, battery data, fault information, etc.

After 10 minutes, the OLED screen will turn off until the function button is pressed again.

Network connection status and meter connection status:

Icon	Status	Description
!	Icon is on	Meter is disconnected
!	Icon is off	Meter is connected
WiFi icon	Icon is on	WiFi connected and connected to the cloud
WiFi icon	Icon is off	WiFi not connected or not connected to the cloud

Operating Status LED

Status	Red	Green	Description
Self check	/	■	Green light flashing
Charge	/	◆	Dual lights flashing quickly
Discharge/Idle	/	●	Green light always on
Fault	●	/	Red light always on

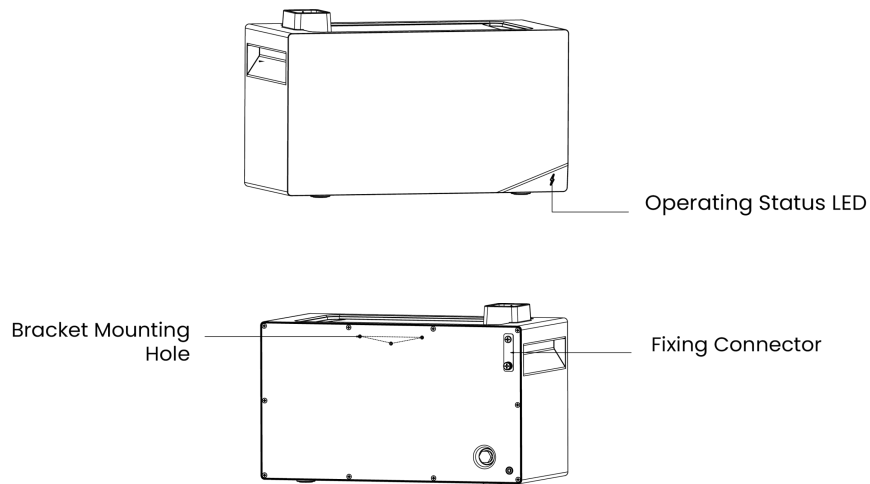
Symbol	Status
■	LED flash display (on: 0.5s, off: 0.5s)
/	LED off display
●	LED on display
◆	LED flash display (on: 2s, off: 1s)

Grid-Tied Terminal

Connect to grid.

EPS Terminal

Connect to backup load.

MQ2200-S Features:**Operating Status LED**

The LED displays the running or fault status of the product. The displayed information is the same as that of the MQ2200-M.

Bracket Mounting Hole

Fix the product to the wall together with bracket.

Fixing Connector

The bracket: Its function is to secure two vertically stacked finished products, enhancing their stability.