

125kW/261kWh

Liquid Cooling Battery Cabinet
with MMPT Module



125kW/261kWh Liquid Cooling Battery Cabinet with MMPT Module

All-In-One Design, Highly integrated, Small footprint, Space Saving Equipment.

Self-developed BMS & EMS, Customized Energy Management, Remote Monitoring, Remote Upgrades.

Multi-Energy Complementarity, Efficiently integrates Grid, PV and diesel generator.

Full liquid cooling heat dissipation, Efficient Intelligent Temperature Control Strategy.

Maximum Power Point Tracking (MPPT) modules with a modular design, allowing flexible adaptation to applications of varying scales.

Integrates multi-level warnings, Pack-level fire protection and active warning.

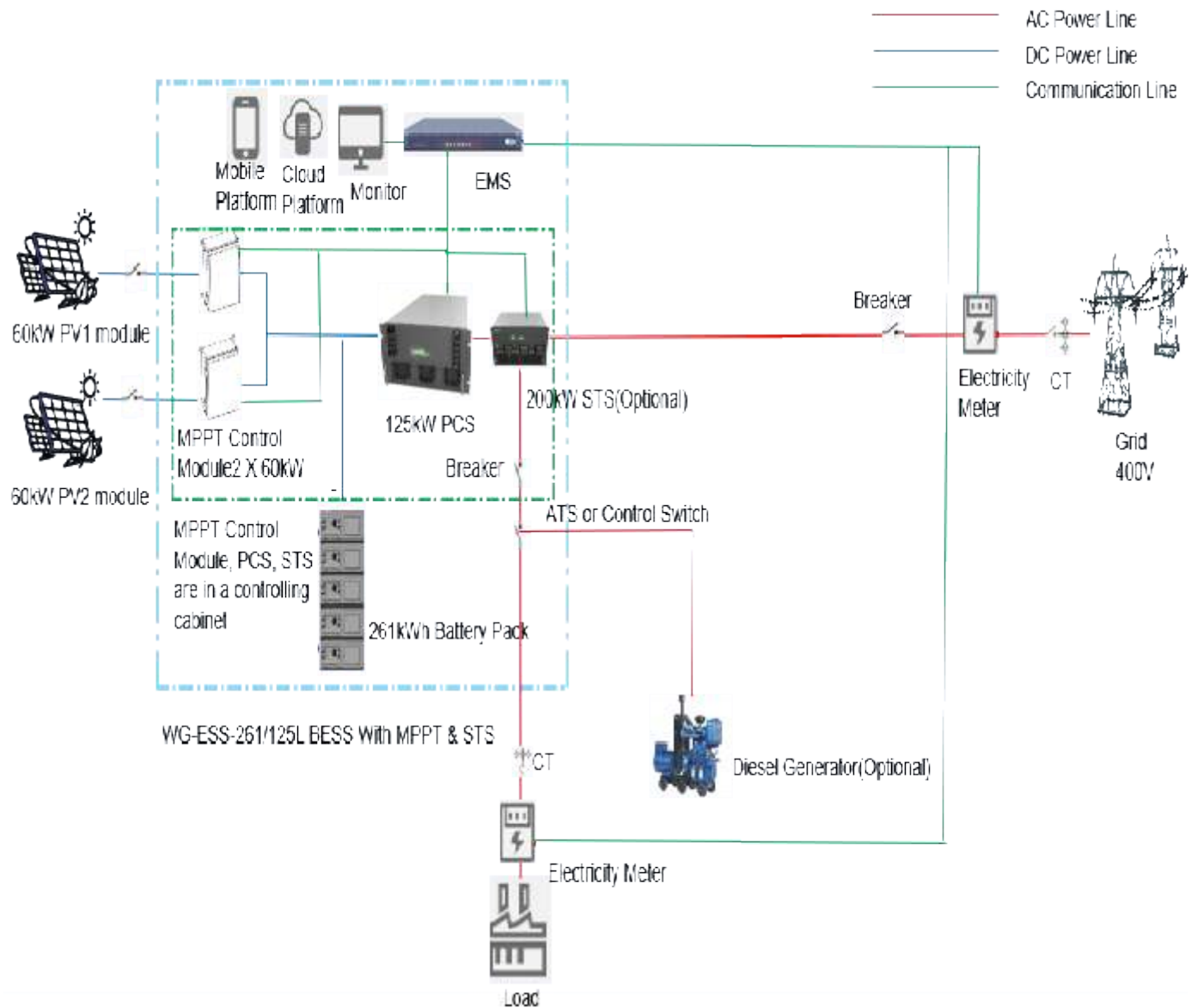
Supports seamless switching to ensure uninterrupted load operation during sudden grid outages.

Supports multi-machine in parallel, Standardized Interfaces, Plug and Play.

Longer life span from liquid cooling More profit from larger capacity.

Supports seamless switching to ensure uninterrupted load operation during sudden grid outages. On/off-grid switching time <20ms.

APPLICATION DIAGRAM



TECHNICAL DATA

DC Parameters	
Battery Type	Lithium-ion battery
Battery Rated Capacity	3.2V/314Ah
Battery System Configuration	Single Cluster 1P/260S-52pcs ×5 PACK
Battery Rated Capacity	261kWh
Rated Voltage	832V
Voltage Range	DC650V-949V
Depth Of Discharge	90%
Life Cycle	>6000 Times
AC Parameters	
Rated Power	125kW
Grid Voltage Range	AC400 V(±15%)
Grid Frequency Range [Hz]	50/60 Hz
AC Connection	Three-phase Four-wire
Isolation transformer	No
Operating Mode	On-grid/ off-grid
PV Parameters	
Single PV input power	60kW
MPPT voltage range	200V-850V
Number of MPPT	3*1
Maximum input current	200A
System Parameter	
Rated Charging and Discharging Rate	0.5P
Maximum System Efficiency	≥90%
Wiring Method	Bottom in and bottom out
On-grid to off-grid switching time	<20ms
Battery Cooling Method	Intelligent liquid cooling
Firefighting System	Pack level fire + active early warning, Perflouro(2-methyl-3-pentanone)IP54
Protection Rating	IP54
Operating Temperature Range	-20 to 55°C
Operating Humidity Range	5-95%RH, no condensation
Noise	<75dB
Operating Altitude	<4000m(>2000m Derating)
Dimension	1000*1350*2200mm
Weight	<2810Kg
Communication	ModBusTCP/RS485/Ethernet/CAN
Standard	IEC62619/IEC63056/ IEC61000 / IEC62477 / UN38.3 / IEC 62109/ EN50549/VDE4105/G99

BATTERY PACK PARAMETERS



Cell	
Battery Chemistry	LFP
Cell Type	Prismatic
Dimension (W x T x H)	174mm x 72mm x 205mm
Weight	5.49±0.3Kg
Nominal Capacity	314Ah
Energy Density	179.4Wh/kg
Standard Charging and Discharging Current	0.5P
Nominal Voltage	3.2V
Operating Voltage Range	2.5-3.65V
Pack	
Configuration	1P52S
Key components	Battery, BMU, Pressure Relief Valve, Emergency Connection, Fire Fighting Parts.
Dimension (D x W x H)	1172*809*244mm
Weight	350kg
Nominal Capacity	314Ah
Nominal Energy	52KWh
Nominal Voltage	166.4V
The Voltage Range	130-189.8V
Rack	
Configuration	1P/260S
Key Components	5 Modules
Nominal Capacity	314Ah
Nominal Energy	261kWh
Nominal Voltage	832V
The Voltage Range	650-949V